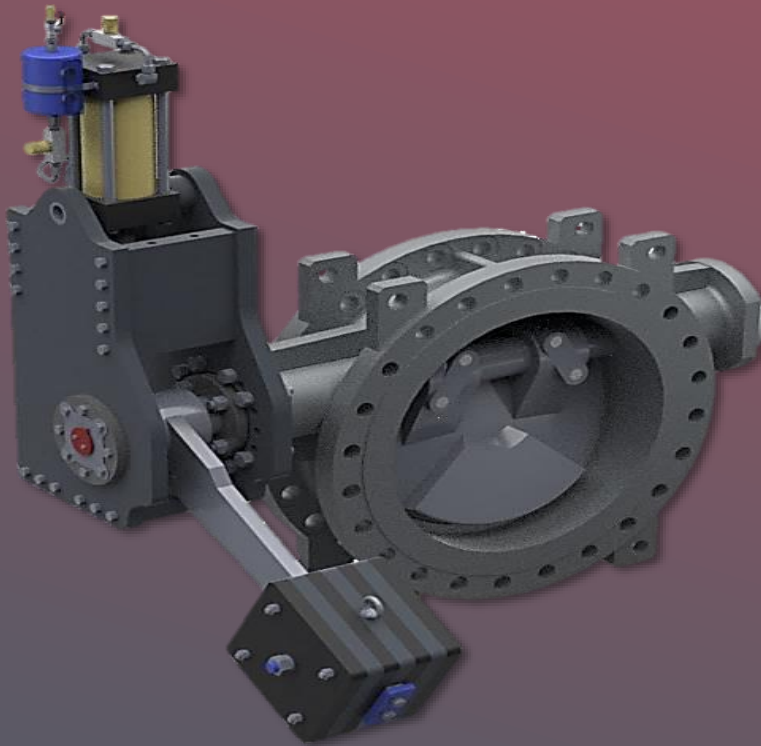


ABOUT PRODUCT

NON-SLAM CHECK VALVES

★ Non-Slam check Valve (Cylinder type)

Check valve slam occurs after pump stoppage when reverse flow passes by the check valve disc before the valve is fully closed. The reverse flow is stopped instantaneously by the closed check valve, which causes a loud shock wave as well as water hammer in the pipe. DSGE's Non-slam check type is a cylinder attachment type, and in the event of reverse flow, it quickly shuts off with a counterweight and uses the cushion of the cylinder to prevent slamming.

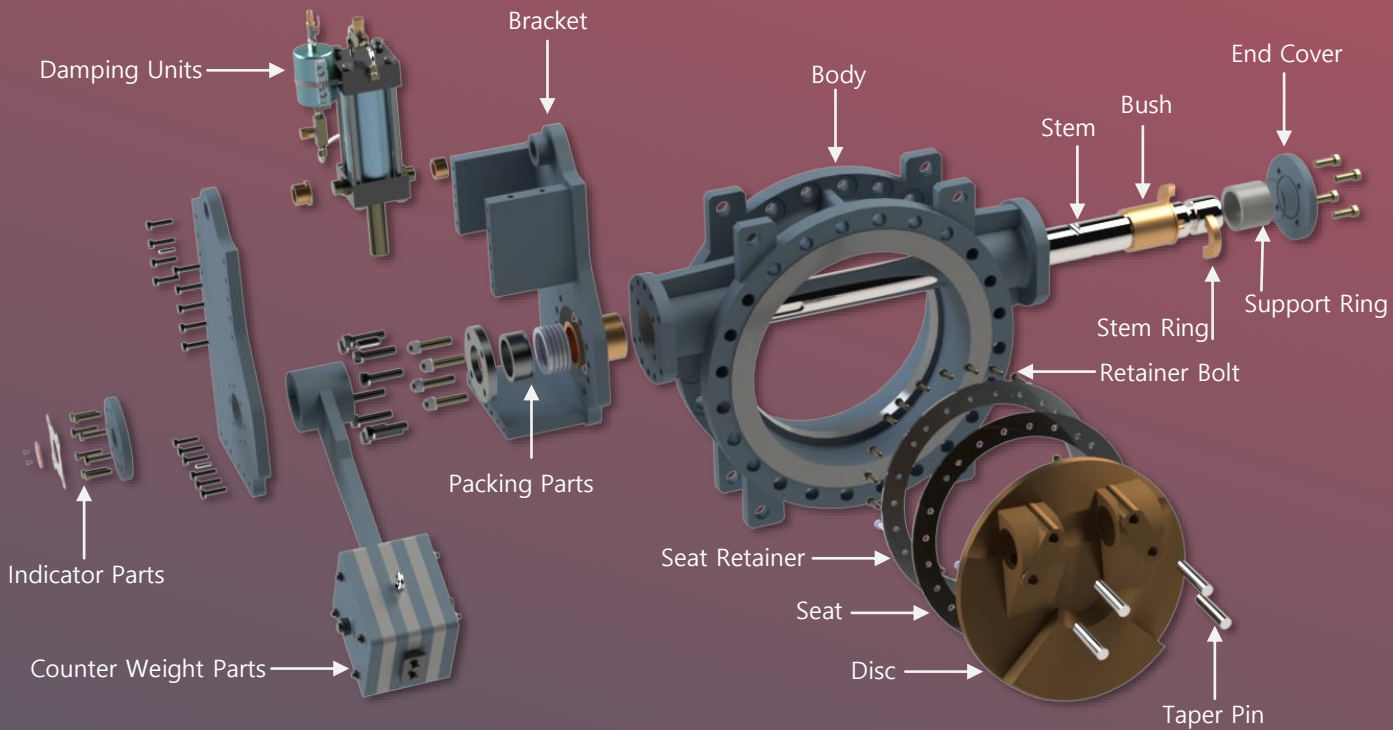


Applicable Specifications

| Division | Description |
|-------------------|---|
| Valve Design | Butterfly Valve Type (add. Damping Cylinder, Counter Weight, Tilting Seat, Stepping) |
| Rating | AWWA C207 CLASS-D, CLASS-E ASME 150LB, 300LB, 600LB JIS 10K, 20K |
| Size | DN300(12") to DN2000(80") |
| Connection | Double Flanged |
| Temperature Range | -20°C to 120°C |
| Option | Body Rubber lining Anti-static device Fusion bonded epoxy Coating Fugitive Emission Packing (ISO15848) |
| Operator | Hydro Damping Cylinder |

ABOUT PRODUCT

NON-SLAM CHECK VALVES



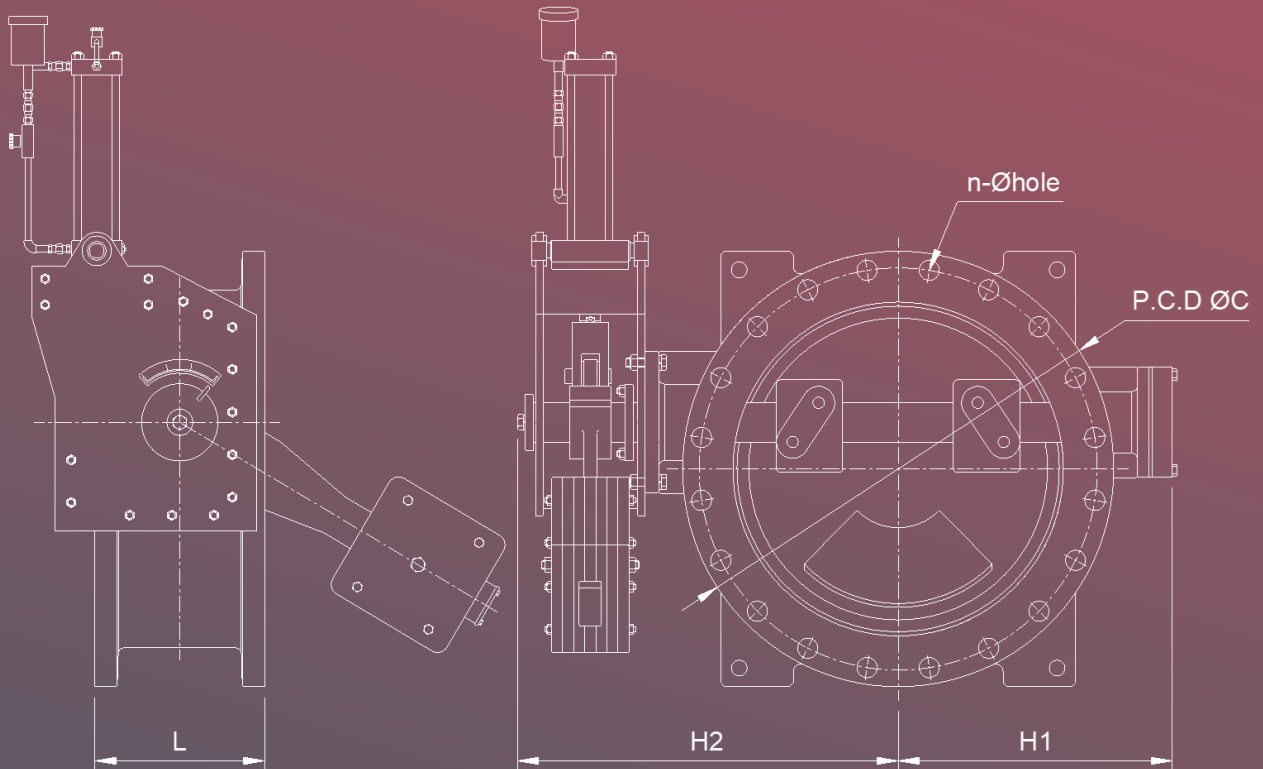
Basic Material Specifications

| No | Part Name | Materials |
|----|----------------------|---|
| 1 | Body | Cast Steel, Stainless, Duplex, Aluminum Bronze, Hastelloy, Etc. |
| 2 | Disc | Stainless, Duplex, Aluminum Bronze, Hastelloy, Etc. |
| 3 | Seat | NBR, EPDM, VITON Etc. |
| 4 | Seat Retainer | Stainless, Duplex, Aluminum Bronze, Hastelloy, Etc. |
| 5 | Retainer Bolt | Stainless, Duplex, Monel, Titanium, Etc. |
| 6 | Stem | Stainless, Duplex, Monel, Hastelloy, Etc. |
| 7 | Tapper Pin | Stainless, Duplex, Monel, Hastelloy, Etc. |
| 8 | Stem Ring | Stainless, Aluminum Bronze, Etc. |
| 9 | Support Ring | Stainless, Aluminum Bronze, Etc. |
| 10 | Bush | Stainless, Aluminum Bronze, Oilless bearing, Etc. |
| 11 | End Cover | Steel plate, Stainless, Aluminum Bronze, Etc. |
| 12 | Packing Parts | Teflon, Graphite, Cloth inserted Rubber, Etc. |
| 13 | Bracket | Steel plate, Cast steel, Etc. |
| 14 | Damping Units | Manufacture Standard. |
| 15 | Counter Weight Parts | Manufacture Standard. |
| 16 | Indicator Parts | Manufacture Standard. |

• Due to the manufacturer's design characteristics, some parts have been deleted or simplified.

ABOUT PRODUCT

NON-SLAM CHECK VALVES



DIMENSION TABLE – 150LB

| SIZE | | L | ASME B16.5 (12inch ~ 24inch) ASME B16.47 SERIES-A(26inch ~ 60inch) | | | REFERENCE | |
|------|------|-------|---|-----------|-------|-----------|------|
| mm | inch | | P.C.D | Hole Q'ty | Øhole | H1 | H2 |
| 300 | 12 | 270 | 431.8 | 12 | 25.4 | 310 | 490 |
| 350 | 14 | 290 | 476.2 | 12 | 28.6 | 350 | 530 |
| 400 | 16 | 310 | 539.8 | 16 | 28.6 | 390 | 590 |
| 450 | 18 | 330 | 577.8 | 16 | 31.8 | 430 | 640 |
| 500 | 20 | 350 | 635.0 | 20 | 31.8 | 470 | 700 |
| 600 | 24 | 390 | 749.3 | 20 | 35.0 | 560 | 830 |
| 700 | 28 | 430 | 863.6 | 28 | 35.0 | 640 | 950 |
| 800 | 32 | 470 | 977.9 | 28 | 41.3 | 710 | 1050 |
| 900 | 36 | 510 | 1085.9 | 32 | 41.3 | 790 | 1170 |
| 1000 | 40 | 550 | 1200.2 | 36 | 41.3 | 870 | 1280 |
| 1200 | 48 | 630 | 1422.4 | 44 | 41.3 | 990 | 1400 |
| 1500 | 60 | (710) | 1759.0 | 52 | 47.7 | 1180 | 1590 |

- Flange rating : According to AWWA C207 CLASS-D&E/ASME B16.47 Series "A" & Series "B" / DIN / BS / JIS / User Spec.
- Face to Face dimension : According to ISO 5752 SERIES 14 & Maker standard.
- Other dimensions are also possible.

ABOUT PRODUCT

NON-SLAM CHECK VALVES

DIMENSION TABLE – 300LB

| SIZE | | L | ASME B16.5 (12inch ~ 24inch) ASME B16.47 SERIES-A(26inch ~ 60inch) | | | REFERENCE | |
|------|------|-------|---|-----------|-------|-----------|------|
| mm | inch | | P.C.D | Hole Q'ty | Øhole | H1 | H2 |
| 300 | 12 | 270 | 450.8 | 16 | 31.8 | 330 | 480 |
| 350 | 14 | 290 | 514.4 | 20 | 31.8 | 380 | 570 |
| 400 | 16 | 310 | 571.5 | 20 | 35.0 | 420 | 630 |
| 450 | 18 | 330 | 628.6 | 24 | 35.0 | 470 | 690 |
| 500 | 20 | 350 | 685.8 | 24 | 35.0 | 510 | 760 |
| 600 | 24 | 390 | 812.8 | 24 | 41.3 | 605 | 900 |
| 700 | 28 | 430 | 939.8 | 28 | 44.5 | 700 | 1040 |
| 800 | 32 | 470 | 1054.1 | 28 | 50.8 | 780 | 1160 |
| 900 | 36 | 510 | 1168.4 | 32 | 54.0 | 860 | 1270 |
| 1000 | 40 | 550 | 1155.7 | 32 | 44.5 | 850 | 1260 |
| 1200 | 48 | 630 | 1371.6 | 32 | 50.8 | 980 | 1390 |
| 1500 | 60 | (710) | 1701.8 | 32 | 60.3 | 1170 | 1580 |

DIMENSION TABLE – 600LB

| SIZE | | L | ASME B16.5 (12inch ~ 24inch) ASME B16.47 SERIES-A(26inch ~ 60inch) | | | REFERENCE | |
|------|------|-------|---|-----------|-------|-----------|------|
| mm | inch | | P.C.D | Hole Q'ty | Øhole | H1 | H2 |
| 300 | 12 | 270 | 489.0 | 20 | 35.0 | 360 | 530 |
| 350 | 14 | 290 | 527.0 | 20 | 38.1 | 380 | 570 |
| 400 | 16 | 310 | 603.0 | 20 | 41.3 | 450 | 660 |
| 450 | 18 | 330 | 654.0 | 20 | 44.5 | 480 | 720 |
| 500 | 20 | 350 | 723.9 | 24 | 44.5 | 540 | 800 |
| 600 | 24 | 390 | 838.2 | 24 | 50.8 | 625 | 928 |
| 700 | 28 | 430 | 965.2 | 28 | 54.0 | 720 | 1060 |
| 800 | 32 | 470 | 1079.5 | 28 | 60.3 | 800 | 1180 |
| 900 | 36 | 510 | 1193.8 | 28 | 66.7 | 880 | 1300 |
| 1000 | 40 | 550 | 1212.8 | 32 | 60.3 | 890 | 1310 |
| 1200 | 48 | 630 | 1460.5 | 32 | 73.0 | 1020 | 1450 |
| 1500 | 60 | (710) | 1822.4 | 28 | 92.1 | 1210 | 1680 |

- Flange rating : According to ASME B16.47 Series "A" & Series "B" / DIN / BS / JIS / User Spec.
- Face to Face dimension : According to ISO 5752 SERIES 14 & Maker standard.
- Other dimensions are also possible.